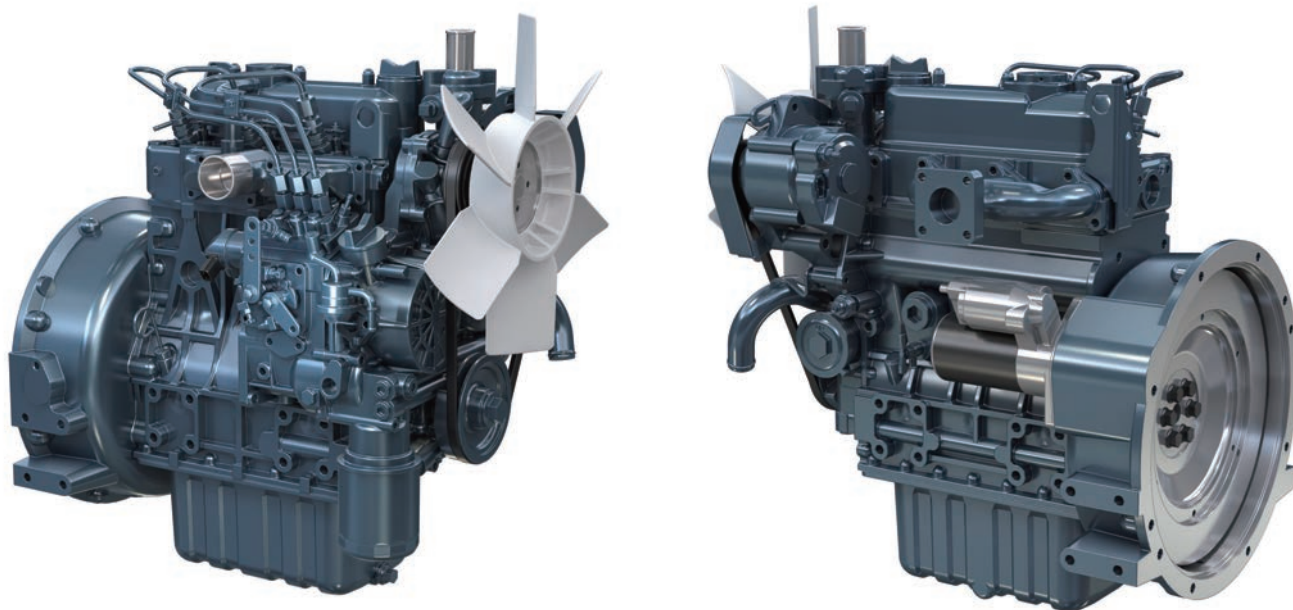


**INDUSTRIAL DIESEL ENGINE**

**Kubota 05 Series (3-Cylinder)**

**D1105-BG2 (1500 rpm)**

**Product image**



Photographs may show non-standard equipment.

**What powers your generator is what powers your success.**

Kubota is the world's leading manufacturer of compact diesel engines, providing you with a single source for a multitude of power needs.

Kubota BG Series engine line-up is ideal for all of your generator applications such as light towers, welders and generators for industrial and standby use. Kubota offers a wide range of generator engines to meet various needs all over the world.

**Why Kubota BG Series?**

**Low profile and high performance.**

The Kubota BG engine provides high performance in a compact size. It's perfect for stationary standby generator requirements.

**Reliable and durable quality**

Under strict quality control, Kubota will provide you with the tried and true quality needed for your generator applications.

**A clean, clear choice.**

Kubota always provides leading efficiency and emissions performance.

**KUBOTA Corporation**

ASP-D1105-BG21806-N0-I-178040

**For Earth, For Life**

**Kubota**

# D1105-BG2

## Engine Specifications

<b>Engine model</b>		D1105-BG2
<b>Emission regulation</b>		-
<b>Type</b>		Vertical, water cooled 4-cycle diesel engine
<b>Cylinders</b>		3
<b>Bore and stroke</b>	mm (in)	78.0 x 78.4 (3.07 x 3.09)
<b>Displacement</b>	L (cu.in)	1.123 (68.53)
<b>Aspiration</b>		Naturally aspirated
<b>Aftertreatment</b>		-
<b>Stand-by output / speed</b> *1	kW (HP) / rpm	9.5 (12.7) / 1500
<b>Continuous output / speed</b> *2	kW (HP) / rpm	8.4 (11.3) / 1500
<b>Combustion system</b>		Indirect injection
<b>Fuel system</b>		In-line pump
<b>Length x Width x Height</b> *3 (without ATU)	mm (in)	516 x 391 x 605 (20.3 x 15.4 x 23.8)
<b>Length x Width x Height</b> *4 (with aftertreatment unit)	mm (in)	-
<b>Dry weight</b>	kg (lb)	110 (243)

Specifications are subject to change without notice.  
Dimensions and dry weight are according to Kubota's standard specification.  
Dimensions and weight depend on completed specifications.

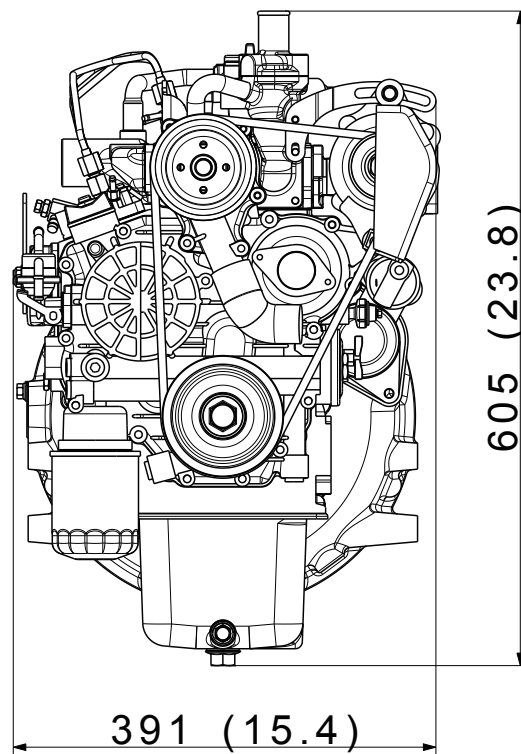
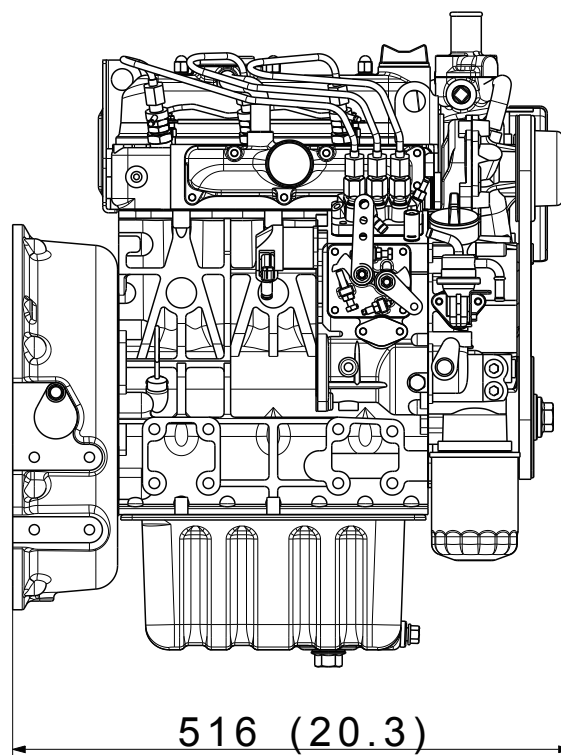
\*1: SAE J1349 net stand-by

\*2: SAE J1349 net continuous

\*3: Exclude cooling fan and exclude aftertreatment unit

\*4: Exclude cooling fan and include aftertreatment unit on engine

## Dimensions



## Kubota Corporation

2-47, Shikitsuhigashi 1-chome Naniwa-ku, Osaka, 556-8601 Japan

<https://global.engine.kubota.co.jp/en/>

ASP-D1105-BG21806-N0-I-178040