

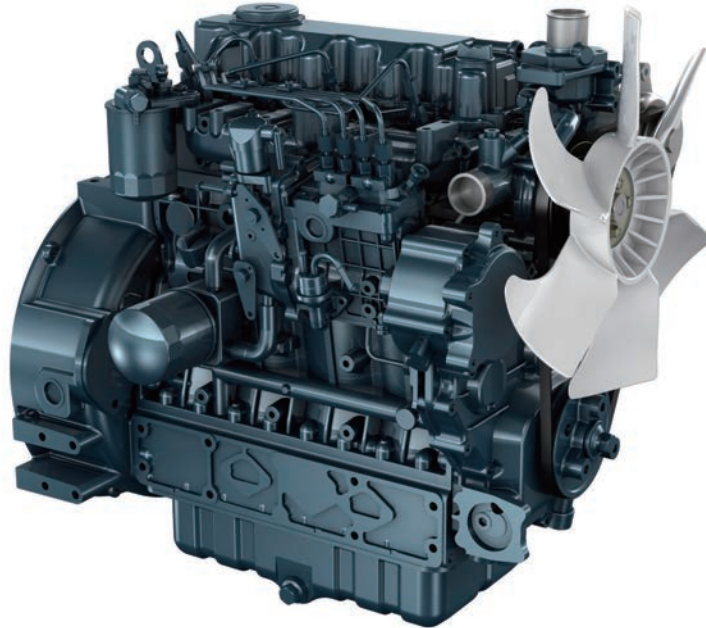
INDUSTRIAL DIESEL ENGINE

Kubota V3 Series (4-Cylinder)

V3300-T-E2-BG2 (1500 rpm)



Product image



Photograph may show non-standard equipment.

What powers your generator is what powers your success.

Kubota is the world's leading manufacturer of compact diesel engines, providing you with a single source for a multitude of power needs.

Kubota BG Series engine line-up is ideal for all of your generator applications such as light towers, welders and generators for industrial and standby use. Kubota offers a wide range of generator engines to meet various needs all over the world.

Why Kubota BG Series?

Low profile and high performance.

The Kubota BG engine provides high performance in a compact size. It's perfect for stationary standby generator requirements.

Reliable and durable quality

Under strict quality control, Kubota will provide you with the tried and true quality needed for your generator applications.

A clean, clear choice.

Kubota always provides leading efficiency and emissions performance.

V3300-T-E2-BG2

Engine Specifications

Engine model		V3300-T-E2-BG2
Emission regulation		EU Stage IIIA
Type		Vertical, water cooled 4-cycle diesel engine
Cylinders		4
Bore and stroke	mm (in)	98.0 x 110.0 (3.86 x 4.331)
Displacement	L (cu.in)	3.318 (202.5)
Aspiration		Turbocharged
Aftertreatment		-
Stand-by output / speed *1	kW (HP) / rpm	35.3 (47.3) / 1500
Continuous output / speed *2	kW (HP) / rpm	32.1 (43.0) / 1500
Combustion system		Indirect injection
Fuel system		In-line pump
Length x Width x Height *3 (without ATU)	mm (in)	738 x 537 x 800 (29.1 x 21.1 x 31.5)
Length x Width x Height *4 (with aftertreatment unit)	mm (in)	-
Dry weight	kg (lb)	289 (637)

Specifications are subject to change without notice.
Dimensions and dry weight are according to Kubota's standard specification.
Dimensions and weight depend on completed specifications.

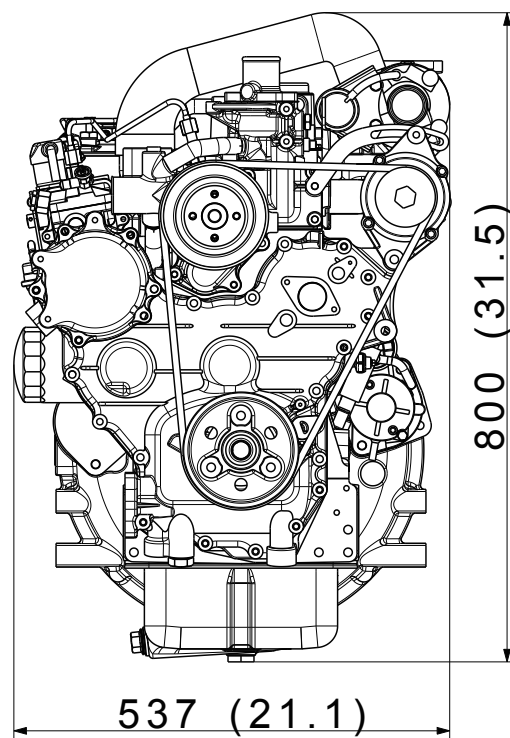
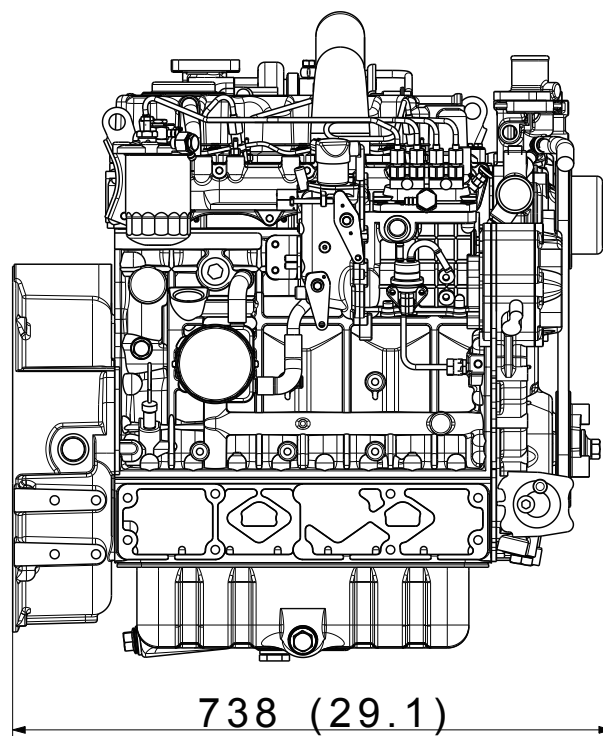
*1: SAE J1349 net stand-by

*2: SAE J1349 net continuous

*3: Exclude cooling fan and exclude aftertreatment unit

*4: Exclude cooling fan and include aftertreatment unit on engine

Dimensions



Kubota Corporation

2-47, Shikitsuhigashi 1-chome Naniwa-ku, Osaka, 556-8601 Japan

<https://global.engine.kubota.co.jp/en/>

ASP-V3300-T-E2-BG21806-N0-I-178040